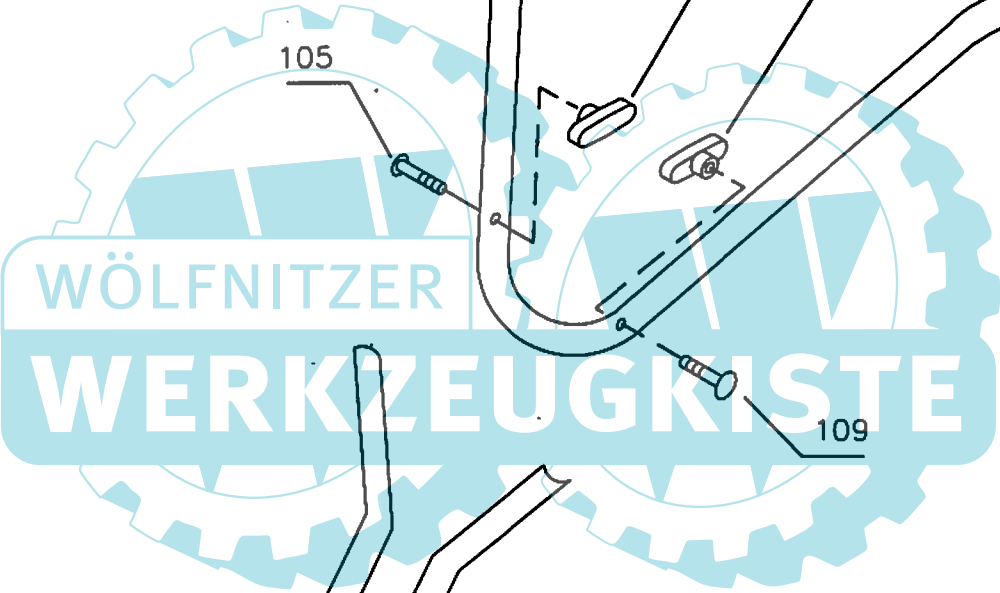
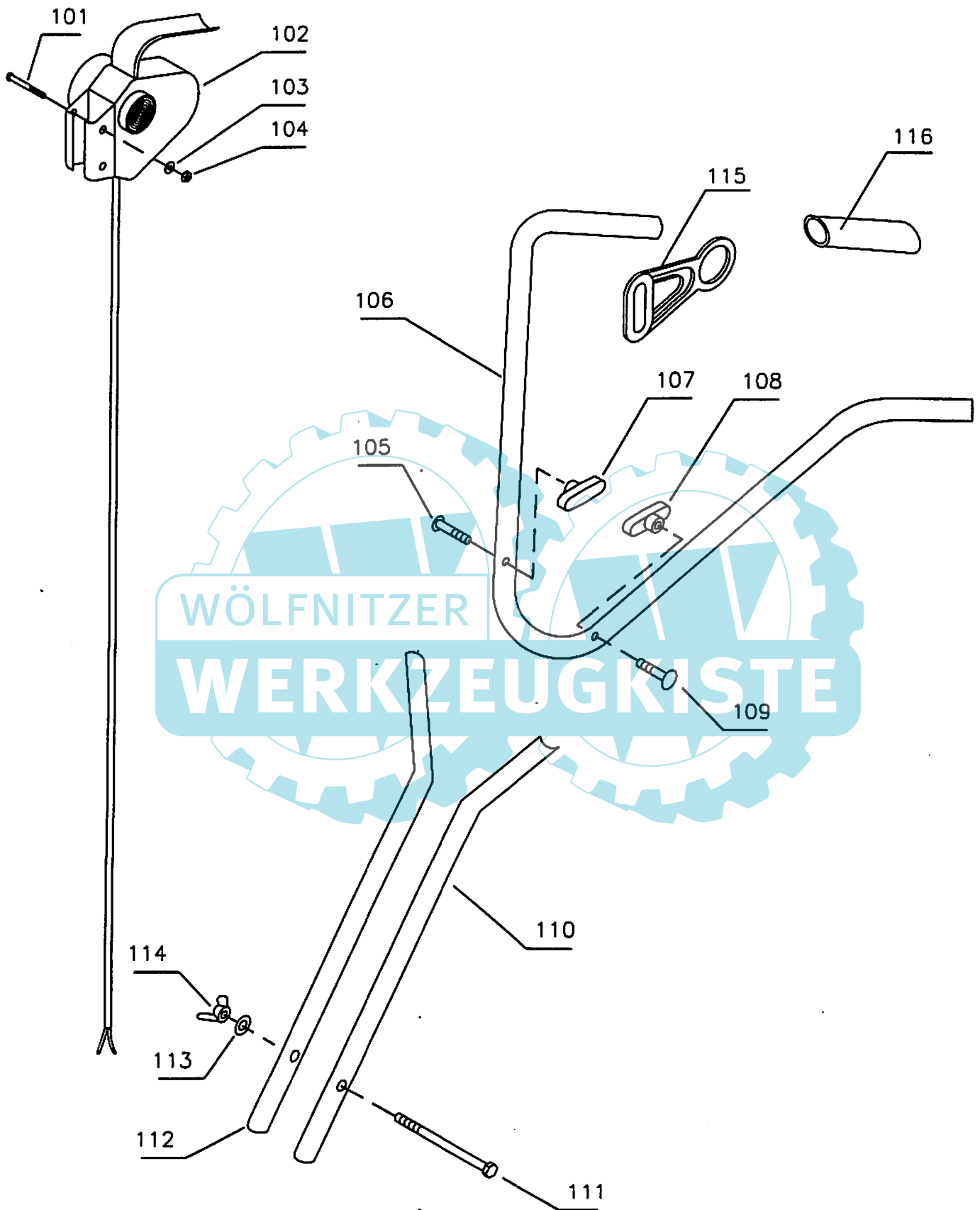
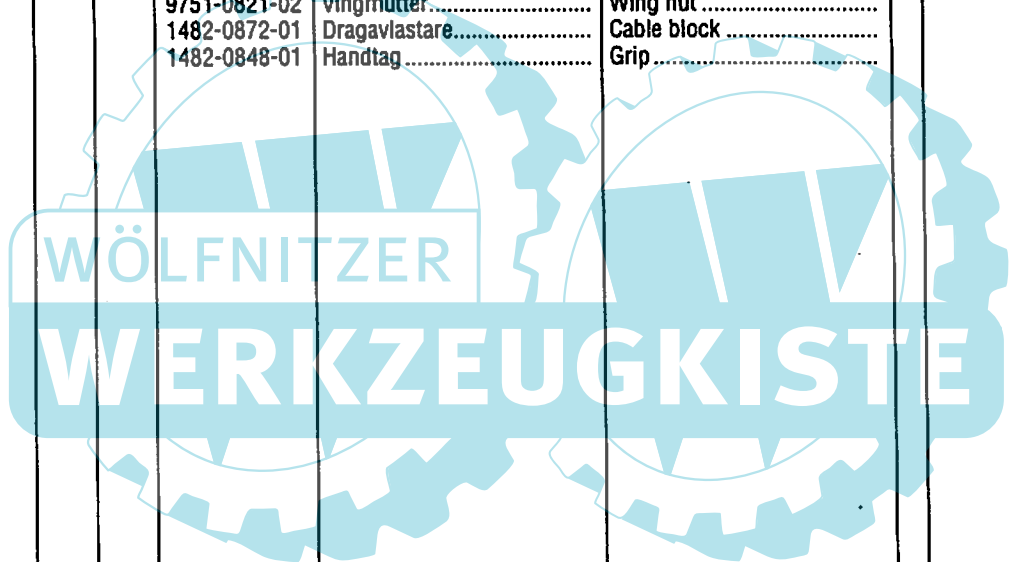


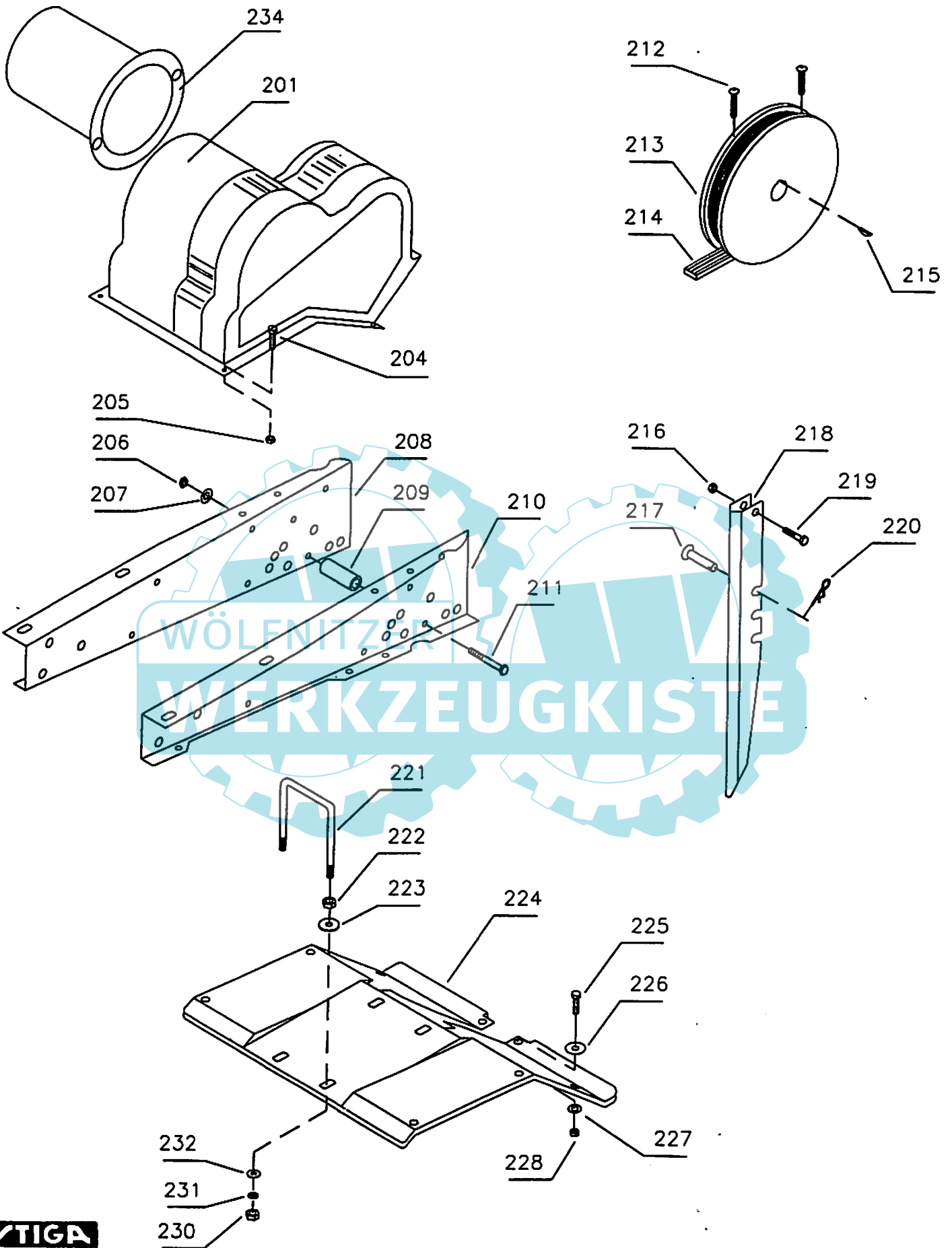
| Utgåva Issue 1997-14 | | Bildnr Picture No 769 | | JE 30 ELMOTOR SPÄNNRULLE | | JE 30 EL MOTOR TENSION ROLLER | | Sida Page 106 | |
|----------------------------|----------------|-----------------------------|--|--------------------------------|-------------------|-------------------------------------|-------------|---------------------|--|
| Pos. Fig. | Antal/Quantity | | | Art nr Part No | Benämning | Description | Sats Kit | Anmärkning Notes | |
| | 1030 | | | | | | | | |
| 1 | 1 | | | 1482-0879-01 | Elmotor..... | El.motor | | | |
| 2 | 1 | | | 1482-0810-01 | Spännarm..... | Tension arm..... | | | |
| 3 | 1 | | | 9799-0831-02 | Mutter..... | Nut..... | | | |
| 4 | 1 | | | 1482-0813-01 | Fjäder..... | Spring | | | |
| 5 | 1 | | | 9997-0825-16 | Skruv..... | Screw..... | | | |
| 6 | 1 | | | 1482-0856-01 | Spännrulle..... | Tension roller..... | | | |
| 7 | 1 | | | 1482-0796-01 | Bussning..... | Bushing..... | | | |
| 8 | 1 | | | 9997-0820-16 | Skruv..... | Screw..... | | | |
| 9 | 1 | | | 1482-0781-01 | Bussning..... | Bushing..... | | | |
| 10 | 1 | | | 9739-0631-22 | Mutter..... | Nut..... | | | |
| 11 | 1 | | | 9799-0631-02 | Mutter..... | Nut..... | | | |
| 12 | 1 | | | 1482-0811-01 | Kabelhållare..... | Cable holder..... | | | |
| 13 | 1 | | | 9739-0631-22 | Mutter..... | Nut..... | | | |
| 14 | 1 | | | 9739-0631-22 | Mutter..... | Nut..... | | | |
| 15 | 1 | | | 1482-0868-01 | Motorfäste..... | Motor bracket..... | | | |
| 16 | 1 | | | 9799-0631-02 | Mutter..... | Nut..... | | | |
| 17 | 1 | | | 9997-0625-16 | Skruv..... | Screw..... | | | |
| 18 | 1 | | | 9997-0630-12 | Skruv..... | Screw..... | | | |
| 19 | 2 | | | 9997-0825-16 | Skruv..... | Screw..... | | | |
| 20 | 2 | | | 9699-0025-02 | Planbricka..... | Flat washer..... | | | |
| 21 | 2 | | | 9799-0631-02 | Mutter..... | Nut..... | | | |
| 22 | 1 | | | 9997-0625-16 | Skruv..... | Screw..... | | | |
| 23 | 1 | | | 9997-0522-16 | Skruv..... | Screw..... | | | |
| 24 | 1 | | | 9997-0625-16 | Skruv..... | Screw..... | | | |
| 25 | 1 | | | 9997-0625-16 | Skruv..... | Screw..... | | | |
| 26 | 1 | | | 1482-0844-01 | Kondensator..... | Condensator..... | | | |
| 27 | 1 | | | 9799-0831-02 | Mutter..... | Nut..... | | | |



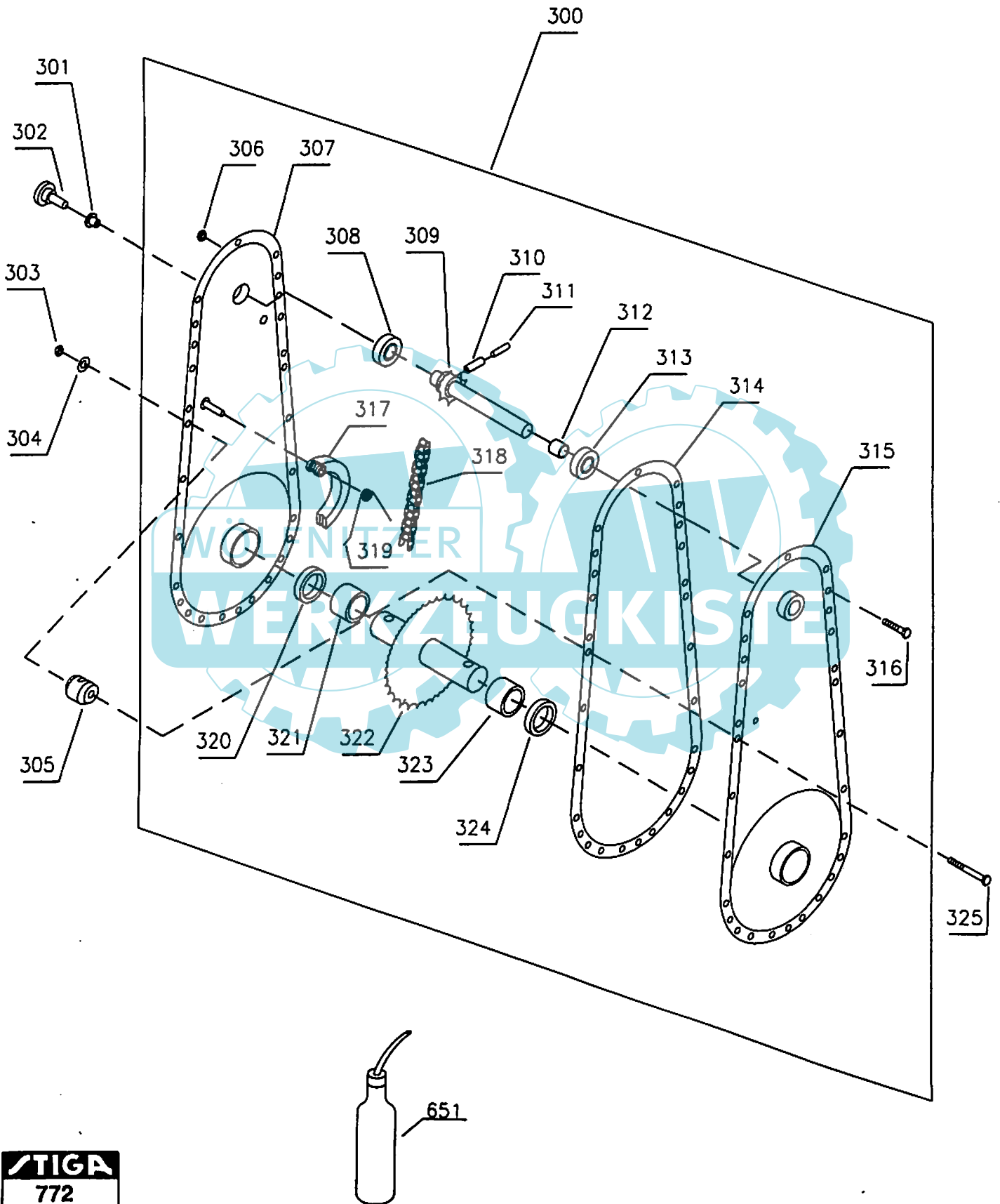


| Utgåva Issue | | Bildnr Picture No | | JE 30 STYRE | JE 30 HANDLEBAR | Sida Page | | |
|-----------------|----------------|----------------------|--|-------------------|---------------------|-------------------------|-------------|---------------------|
| 1997-14 | | 770 | | | | 108 | | |
| Pos. Fig. | Antal/Quantity | | | Art nr Part No | Benämning | Description | Sats Kit | Anmärkning Notes |
| | 1030 | | | | | | | |
| 101 | 2 | | | 9997-0545-12 | Skruv | Screw | | |
| 102 | 1 | | | 1482-0880-01 | Manöverdosa | Switch | | |
| 103 | 2 | | | 9699-0024-02 | Planbricka | Flat washer | | |
| 104 | 2 | | | 9739-0631-22 | Mutter | Nut | | |
| 105 | 1 | | | 9898-0635-12 | Skruv | Screw | | |
| 106 | 1 | | | 1482-0815-01 | Styre-överdel | Handle-upper part | | |
| 107 | 1 | | | 1482-0576-01 | Plastmutter | Plastic wing nut | | |
| 108 | 1 | | | 1482-0576-01 | Plastmutter | Plastic wing nut | | |
| 109 | 1 | | | 9898-0635-12 | Skruv | Screw | | |
| 110 | 1 | | | 1482-0790-01 | Styrrör | Handle tube | | |
| 111 | 1 | | | 9997-0812-02 | Skruv | Screw | | |
| 112 | 1 | | | 1482-0790-01 | Styrrör | Handle tube | | |
| 113 | 1 | | | 9683-0030-02 | Låsbricka | Lock washer | | |
| 114 | 1 | | | 9751-0821-02 | Vingmutter | Wing nut | | |
| 115 | 1 | | | 1482-0872-01 | Dragavlastare | Cable block | | |
| 116 | 2 | | | 1482-0848-01 | Handtag | Grip | | |

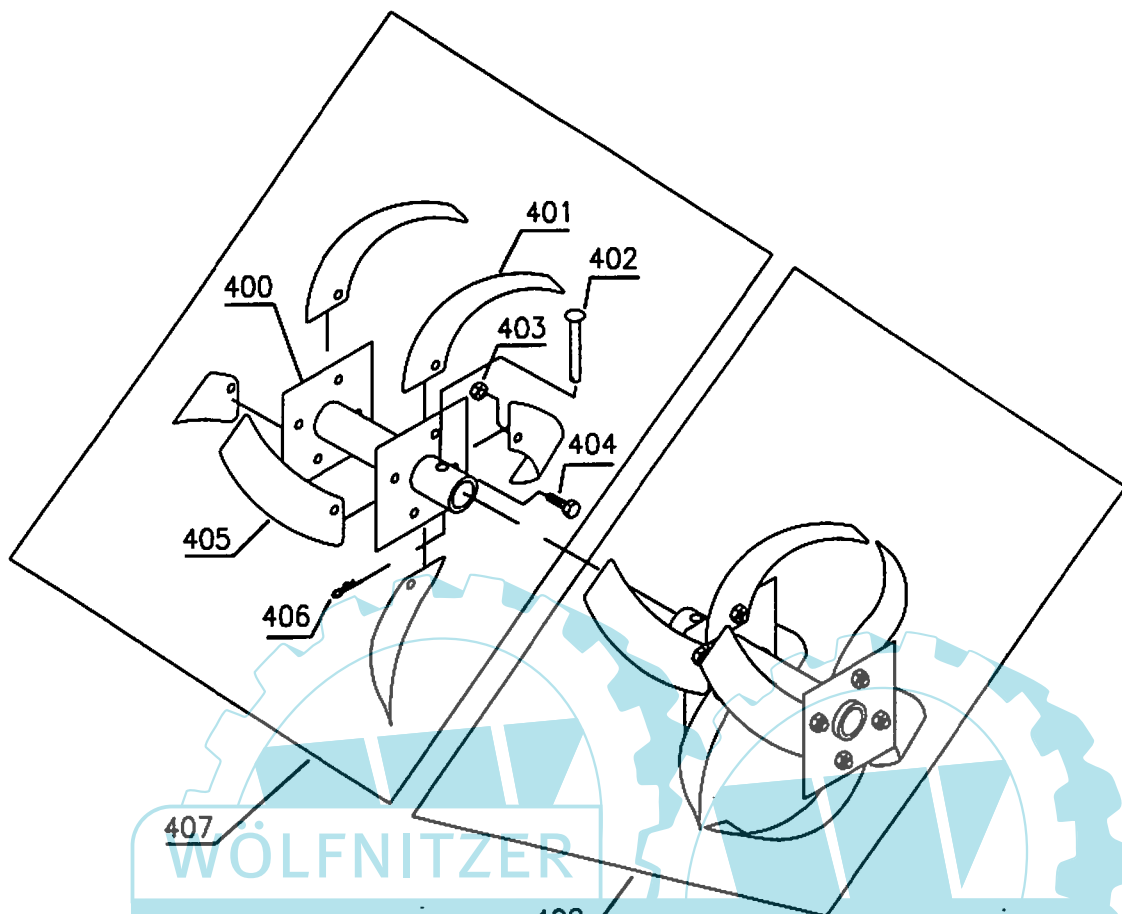




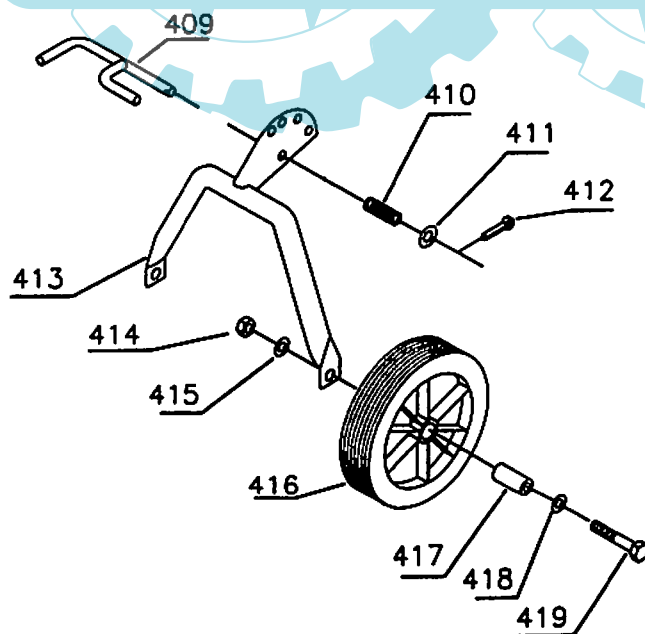
| Utgåva Issue 1997-14 | | Bildnr Picture No 771 | | JE 30 REMSKIVA | | JE 30 BELT PULLEY | | Sida Page 110 | |
|----------------------------|----------------|-----------------------------|--|-------------------|------------------|------------------------|-------------|---------------------|--|
| Pos. Fig. | Antal/Quantity | | | Art nr Part No | Benämning | Description | Sats Kit | Anmärkning Notes | |
| | 1030 | | | | | | | | |
| 201 | 1 | | | 1482-0870-01 | Motorhuv..... | Motor hood..... | | | |
| 204 | 4 | | | 9865-0512-16 | Skruv..... | Screw..... | | | |
| 205 | 4 | | | 9739-0631-22 | Mutter..... | Nut..... | | | |
| 206 | 2 | | | 9799-0631-02 | Mutter..... | Nut..... | | | |
| 207 | 2 | | | 9683-0025-02 | Låsbricka..... | Lock washer..... | | | |
| 208 | 1 | | | 1482-0791-01 | Ram-hö..... | Member-R.H..... | | | |
| 209 | 2 | | | 1482-0501-01 | Distans..... | Spacer..... | | | |
| 210 | 1 | | | 1482-0792-01 | Ram-vä..... | Member-L.H..... | | | |
| 211 | 2 | | | 9997-0635-12 | Skruv..... | Screw..... | | | |
| 212 | 2 | | | 1482-0818-01 | Skruv..... | Screw..... | | | |
| 213 | 1 | | | 1482-0871-01 | Remhjul..... | Belt pulley..... | | | |
| 214 | 1 | | | 1482-0876-01 | Kilrem..... | V-belt..... | | | |
| 215 | 1 | | | 9600-0016-00 | Woodruffkil..... | Key..... | | | |
| 216 | 1 | | | 9799-0631-02 | Mutter..... | Nut..... | | | |
| 217 | 1 | | | 1482-0041-00 | Sprint..... | Pin..... | | | |
| 218 | 1 | | | 1482-0666-01 | Bromssporre..... | Depth skid..... | | | |
| 219 | 1 | | | 9997-0635-12 | Skruv..... | Screw..... | | | |
| 220 | 1 | | | 9598-0002-02 | Låsnål..... | Spring pin..... | | | |
| 221 | 1 | | | 1482-0812-01 | Bärhandtag..... | Handle..... | | | |
| 222 | 2 | | | 9799-0831-02 | Mutter..... | Nut..... | | | |
| 223 | 2 | | | 9699-0028-02 | Planbricka..... | Flat washer..... | | | |
| 224 | 1 | | | 1482-0816-01 | Skärm..... | Sheet..... | | | |
| 225 | 2 | | | 9997-0616-16 | Skruv..... | Screw..... | | | |
| 226 | 2 | | | 9699-0025-02 | Planbricka..... | Flat washer..... | | | |
| 227 | 2 | | | 9683-0025-02 | Låsbricka..... | Lock washer..... | | | |
| 228 | 2 | | | 9799-0631-02 | Mutter..... | Nut..... | | | |
| 230 | 2 | | | 9799-0831-02 | Mutter..... | Nut..... | | | |
| 231 | 2 | | | 9683-0030-02 | Låsbricka..... | Lock washer..... | | | |
| 232 | 2 | | | 9699-0028-02 | Planbricka..... | Flat washer..... | | | |
| 234 | 1 | | | 1482-0869-01 | Fläktskydd..... | Ventilating guard..... | | | |



| Utgåva Issue | | Bildnr Picture No | | JE 30 KEDJEHUS | JE 30 CHAIN CASE | Sida Page | | |
|-----------------|----------------|----------------------|--|-------------------|----------------------------|-----------------------------|-------------|---------------------|
| 1997-14 | | 772 | | | | 112 | | |
| Pos. Fig. | Antal/Quantity | | | Art nr Part No | Benämning | Description | Sats Kit | Anmärkning Notes |
| | 1030 | | | | | | | |
| 300 | 1 | | | 1482-0814-01 | Kedjehus kpl..... | Chain case assy | | |
| 301 | 1 | | | 1482-0554-01 | Bussning | Bushing | | |
| 302 | 1 | | | 1482-0248-01 | Oljepåfyllningsplugg | Oilplug | | |
| 303 | 4 | | | 9799-0631-02 | Mutter | Nut | | |
| 304 | 4 | | | 9683-0025-02 | Låsbricka | Lock washer | | |
| 305 | 4 | | | 1482-0677-01 | Bussning | Mounting bush | | |
| 306 | 24 | | | 9799-0531-02 | • Mutter | • Nut | | |
| 307 | 1 | | | 1482-0668-01 | • Kedjehushalva-hö | • Chain case-R.H. | | |
| 308 | 1 | | | 9549-0017-00 | • Kullager | • Ball bearing | | |
| 309 | 1 | | | 1482-0795-01 | • Ingående axel | • Shaft inner | | |
| 310 | 1 | | | 1482-0607-01 | • Stift-yttre | • Pin-outer | | |
| 311 | 1 | | | 1482-0606-01 | • Stift-inre | • Pin-inner | | |
| 312 | 1 | | | 1482-0632-01 | • Bussning | • Bushing | | |
| 313 | 1 | | | 9549-0017-00 | • Kullager | • Ball bearing | | |
| 314 | 1 | | | 1482-0633-01 | • Packning | • Gasket | | |
| 315 | 1 | | | 1482-0669-01 | • Kedjehushalva-vä | • Chain case-L.H. | | |
| 316 | 1 | | | 9997-0510-16 | • Skruv | • Screw | | |
| 317 | 1 | | | 1482-0630-01 | • Kedjesträckare | • Chain tensioner | | |
| 318 | 1 | | | 1482-0514-01 | • Kedja | • Chain | | |
| 319 | 1 | | | 1482-0629-01 | • Fjäder | • Spring | | |
| 320 | 1 | | | 1482-0214-01 | • Tätningsring | • Seal | | |
| 321 | 1 | | | 1482-0485-01 | • Nällager | • Needle bearing | | |
| 322 | 1 | | | 1482-0513-01 | • Drivaxel | • Drive shaft | | |
| 323 | 1 | | | 1482-0485-01 | • Nällager | • Needle bearing | | |
| 324 | 1 | | | 1482-0214-01 | • Tätningsring | • Seal | | |
| 325 | 4 | | | 9997-0635-12 | Skruv | Screw | | |
| 651 | 1 | | | 1482-0536-01 | Växelhusolja (0.5 l) | Gear case oil (0.5 l) | | Texaco Multifak |



WÖLFNITZER
WERKZEUGKISTE



| Utgåva Issue | | Bildnr Picture No | | JE 30 ROTORER STÖDHJUL | JE 30 ROTORS SUPPORT WHEEL | Sida Page | | |
|-----------------|----------------|----------------------|--|------------------------------|----------------------------------|----------------------|-------------|---------------------|
| 1997-14 | | 773 | | | | 114 | | |
| Pos. Fig. | Antal/Quantity | | | Art nr Part No | Benämning | Description | Sats Kit | Anmärkning Notes |
| | 1030 | | | | | | | |
| 400 | 2 | | | 1482-0784-01 | • Knivrör..... | • Tube..... | | |
| 401 | 8 | | | 1482-0785-01 | • Knivblad-hö | • Blade-R.H..... | | |
| 402 | 2 | | | 1482-0041-00 | • Sprint..... | • Pin..... | | |
| 403 | 16 | | | 9794-5131-02 | • Mutter..... | • Nut..... | | |
| 404 | 16 | | | 9987-5119-16 | • Skruv..... | • Screw..... | | |
| 405 | 8 | | | 1482-0783-01 | • Kniv-vä | • Blade-L.H..... | | |
| 406 | 2 | | | 9598-0002-02 | • Låsnål | • Spring pin | | |
| 407 | 1 | | | 1482-0786-01 | Rotor kpl-hö | Rotor assy-R.H..... | | |
| 408 | 1 | | | 1482-0787-01 | Rotor kpl-vä..... | Rotor assy-L.H..... | | |
| 409 | 1 | | | 1482-0618-01 | Lås f.hjulbygel | Wheel fork lock..... | | |
| 410 | 1 | | | 1482-0619-01 | Fjäder..... | Spring..... | | |
| 411 | 1 | | | 9699-0035-02 | Planbricka..... | Flat washer..... | | |
| 412 | 1 | | | 9599-0071-02 | Saxsprint..... | Split pin..... | | |
| 413 | 1 | | | 1482-0691-01 | Stödhjulsbygel..... | Wheel fork..... | | |
| 414 | 2 | | | 9799-1031-02 | Mutter..... | Nut..... | | |
| 415 | 2 | | | 9683-0040-02 | Låsbricka..... | Lock washer..... | | |
| 416 | 2 | | | 1482-0526-01 | Stödhjul..... | Support wheel..... | | |
| 417 | 2 | | | 1482-0521-01 | Hjulbussning | Wheel bushing..... | | |
| 418 | 2 | | | 9699-0035-02 | Planbricka..... | Flat washer..... | | |
| 419 | 2 | | | 9997-1060-12 | Skruv..... | Screw..... | | |

